

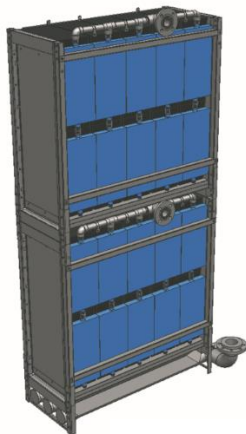
MicroClear®

Technical Data Sheet **MB4-1 FILTER CASSETTE** Article-No. 80200046

Completely assembled filtration unit for membrane bioreactor system. Typical application are for treating domestic or industrial wastewater. Replacement of single MCXL2 module (8 m²) is possible to maintain minimum operating cost.

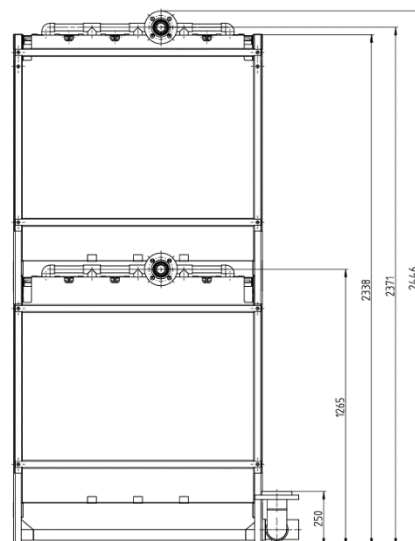
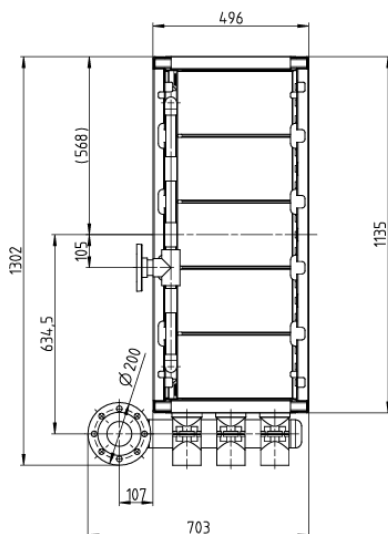
The cassette consists of:

- Already activated PVDF membrane modules MicroClear® MCXL2
- Filter housing made of stainless steel SS304 (SS316 optional)
- Membrane tube diffusers with medium sized bubble optimized for the plate distance of the MicroClear® MCXL2 filter module



Parameter	Unit	Value
Dimension of filter cassette (incl. flange for aeration)	L x W x H cm	130 x 70 x 245
Air connection flange	DN/NPS	80 / 3"
Filtrate connection flange	DN/NPS	40 / 1 ½"
Total number of MicroClear® MCXL2 modules		20
Total membrane surface area	m ²	160
Possible flow ¹		
2 chemical cleanings/year	m ³ /day	100
1 chemical cleaning/year		50
Membrane material		PVDF (activated)
Nominal pore size	µm	0.03
Filtration pressure	bar	Up to 0.25
Max. backflush pressure	bar	0.1
Filter housing material		SS304 (SS316 optional)
Diffuser membrane material		EPDM
Total required air flow for scouring	Nm ³ /h	50
Dry weight	kg	Approx. 360

¹ Depending on wastewater characteristics and operating conditions



Revised: October 2021

Design and specifications are subject to change without notice

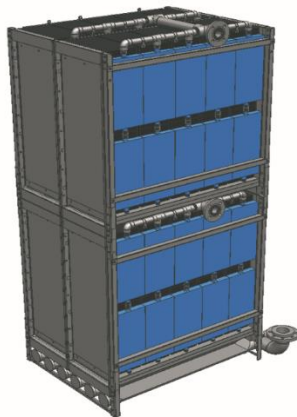
MicroClear®

Technical Data Sheet **MB4-2 FILTER CASSETTE** Article-No. 80200047

Completely assembled filtration unit for membrane bioreactor system. Typical application are for treating domestic or industrial wastewater. Replacement of single MCXL2 module (8 m²) is possible to maintain minimum operating cost.

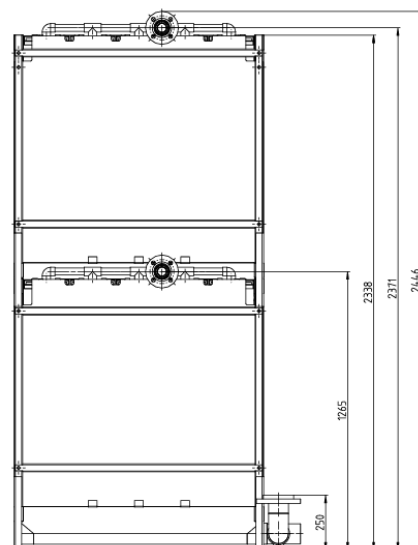
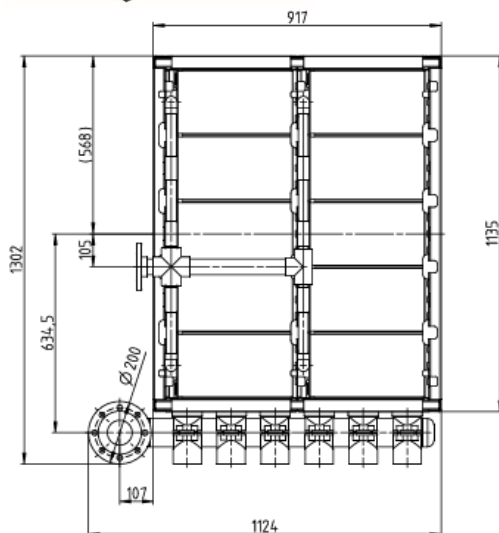
The cassette consists of:

- Already activated PVDF membrane modules MicroClear® MCXL2
- Filter housing made of stainless steel SS304 (SS316 optional)
- Membrane tube diffusers with medium sized bubble optimized for the plate distance of the MicroClear® MCXL2 filter module



Parameter	Unit	Value
Dimension of filter cassette (incl. flange for aeration)	L x W x H cm	130 x 112 x 245
Air connection flange	DN/NPS	80 / 3"
Filtrate connection flange	DN/NPS	40 / 1 1/2"
Total number of MicroClear® MCXL2 modules		40
Total membrane surface area	m ²	320
Possible flow ¹		
2 chemical cleanings/year	m ³ /day	200
1 chemical cleaning/year		100
Membrane material		PVDF (activated)
Nominal pore size	µm	0.03
Filtration pressure	bar	Up to 0.25
Max. backflush pressure	bar	0.1
Filter housing material		SS304 (SS316 optional)
Diffuser membrane material		EPDM
Total required air flow for scouring	Nm ³ /h	100
Dry weight	kg	Approx. 720

¹ Depending on wastewater characteristics and operating conditions



Revised: October 2021

Design and specifications are subject to change without notice

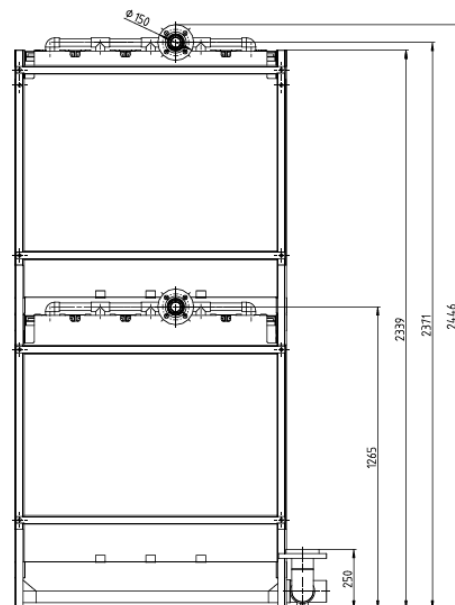
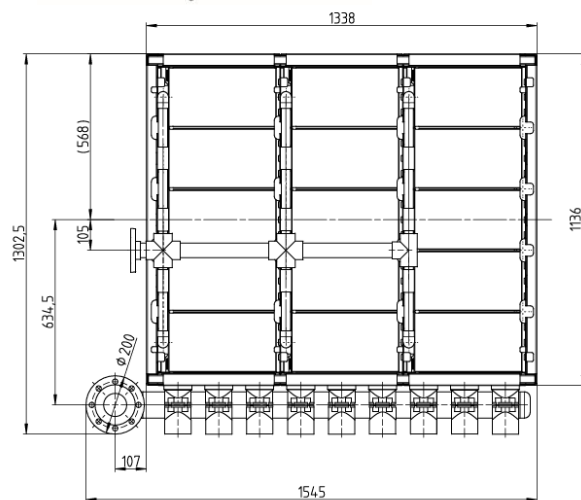
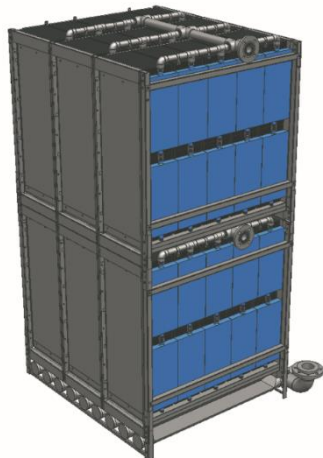
MicroClear®

Technical Data Sheet **MB4-3 FILTER CASSETTE** Article-No. 80200048

Completely assembled filtration unit for membrane bioreactor system. Typical application are for treating domestic or industrial wastewater. Replacement of single MCXL2 module (8 m²) is possible to maintain minimum operating cost.

The cassette consists of:

- Already activated PVDF membrane modules MicroClear® MCXL2
- Filter housing made of stainless steel SS304 (SS316 optional)
- Membrane tube diffusers with medium sized bubble optimized for the plate distance of the MicroClear® MCXL2 filter module



Parameter	Unit	Value
Dimension of filter cassette (incl. flange for aeration)	L x W x H cm	130 x 154 x 245
Air connection flange	DN/NPS	80 / 3"
Filtrate connection flange	DN/NPS	40 / 1 1/2"
Total number of MicroClear® MCXL2 modules		60
Total membrane surface area	m ²	480
Possible flow ¹		
2 chemical cleanings/year	m ³ /day	300
1 chemical cleaning/year		150
Membrane material		PVDF (activated)
Nominal pore size	µm	0.03
Filtration pressure	bar	Up to 0.25
Max. backflush pressure	bar	0.1
Filter housing material		SS304 (SS316 optional)
Diffuser membrane material		EPDM
Total required air flow for scouring	Nm ³ /h	150
Dry weight	kg	Approx. 1080

¹ Depending on wastewater characteristics and operating conditions

Revised: October 2021

Design and specifications are subject to change without notice

MicroClear®

Technical Data Sheet **MB4-4 FILTER CASSETTE** Article-No. 80200049

Completely assembled filtration unit for membrane bioreactor system. Typical application are for treating domestic or industrial wastewater. Replacement of single MCXL2 module (8 m²) is possible to maintain minimum operating cost.

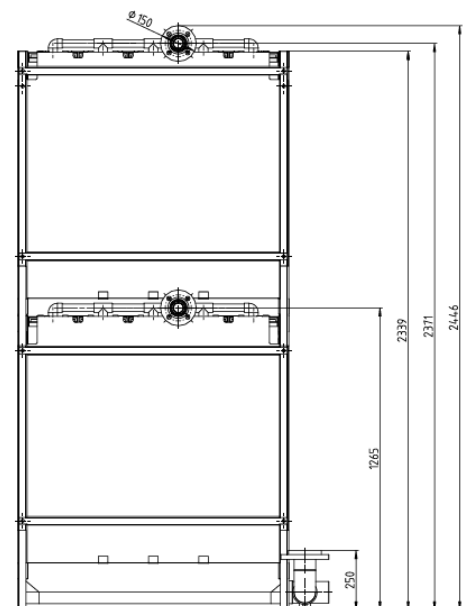
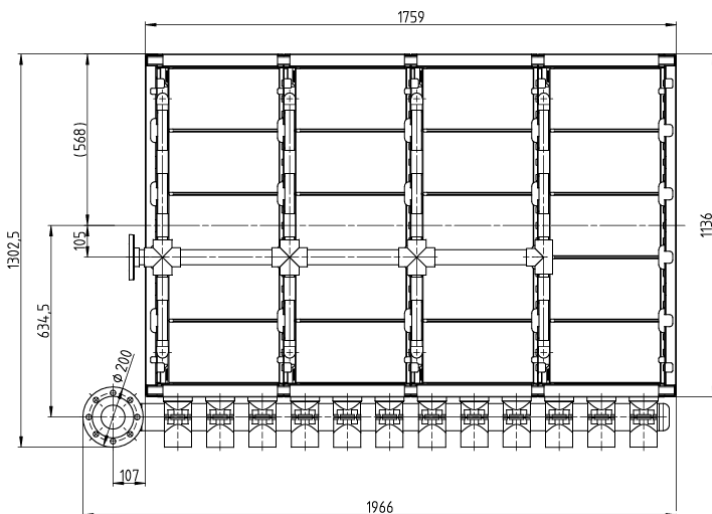
The cassette consists of:

- Already activated PVDF membrane modules MicroClear® MCXL2
- Filter housing made of stainless steel SS304 (SS316 optional)
- Membrane tube diffusers with medium sized bubble optimized for the plate distance of the MicroClear® MCXL2 filter module



Parameter	Unit	Value
Dimension of filter cassette (incl. flange for aeration)	L x W x H cm	130 x 196 x 245
Air connection flange	DN/NPS	80 / 3"
Filtrate connection flange	DN/NPS	40 / 1 1/2"
Total number of MicroClear® MCXL2 modules		80
Total membrane surface area	m ²	640
Possible flow ¹		
2 chemical cleanings/year	m ³ /day	400
1 chemical cleaning/year		200
Membrane material		PVDF (activated)
Nominal pore size	µm	0.03
Filtration pressure	bar	Up to 0.25
Max. backflush pressure	bar	0.1
Filter housing material		SS304 (SS316 optional)
Diffuser membrane material		EPDM
Total required air flow for scouring	Nm ³ /h	200
Dry weight	kg	Approx. 1440

¹ Depending on wastewater characteristics and operating conditions



Revised: October 2021

Design and specifications are subject to change without notice

MicroClear®

Technical Data Sheet **MB4-5 FILTER CASSETTE** Article-No. 80200050

Completely assembled filtration unit for membrane bioreactor system. Typical application are for treating domestic or industrial wastewater. Replacement of single MCXL2 module (8 m²) is possible to maintain minimum operating cost.

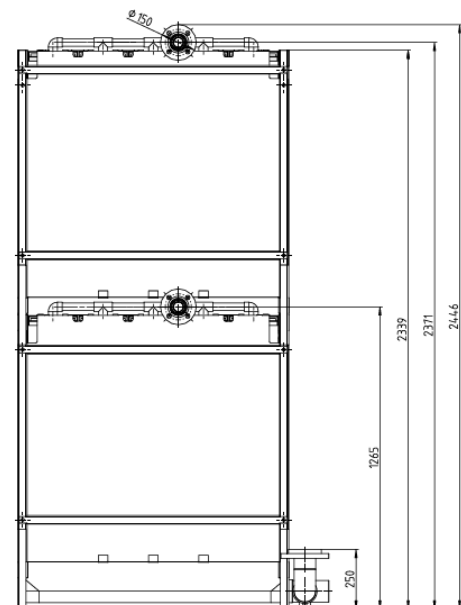
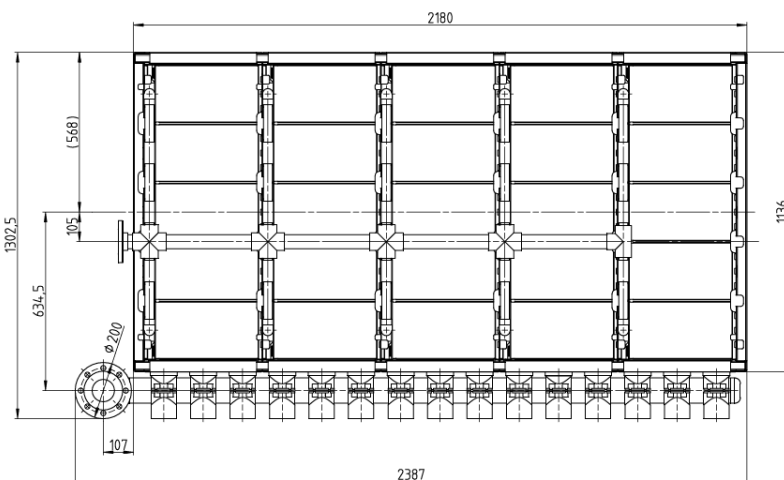
The cassette consists of:

- Already activated PVDF membrane modules MicroClear® MCXL2
- Filter housing made of stainless steel SS304 (SS316 optional)
- Membrane tube diffusers with medium sized bubble optimized for the plate distance of the MicroClear® MCXL2 filter module



Parameter	Unit	Value
Dimension of filter cassette (incl. flange for aeration)	L x W x H cm	130 x 238 x 245
Air connection flange	DN/NPS	80 / 3"
Filtrate connection flange	DN/NPS	40 / 1 1/2"
Total number of MicroClear® MCXL2 modules		100
Total membrane surface area	m ²	800
Possible flow ¹		
2 chemical cleanings/year	m ³ /day	500
1 chemical cleaning/year		250
Membrane material		PVDF (activated)
Nominal pore size	µm	0.03
Filtration pressure	bar	Up to 0.25
Max. backflush pressure	bar	0.1
Filter housing material		SS304 (SS316 optional)
Diffuser membrane material		EPDM
Total required air flow for scouring	Nm ³ /h	250
Dry weight	kg	Approx. 1800

¹ Depending on wastewater characteristics and operating conditions



Revised: October 2021

Design and specifications are subject to change without notice