

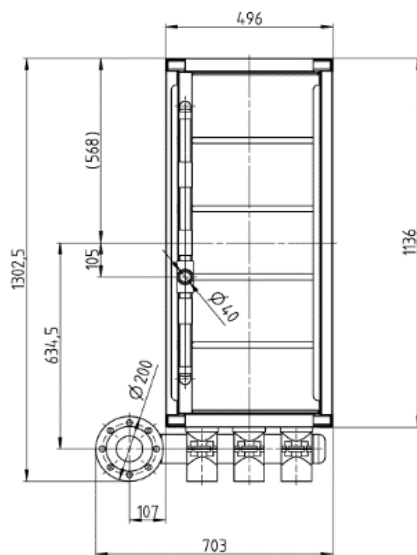
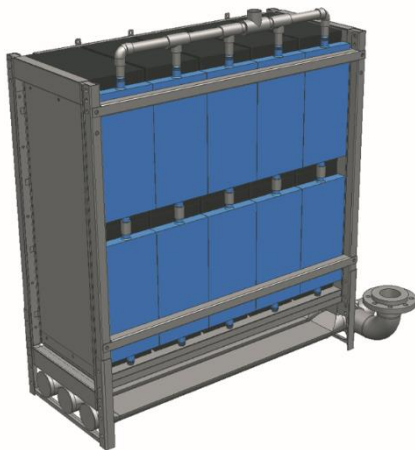
# MicroClear®

Technical Data Sheet **MB2-1 FILTER CASSETTE** Article-No. 80200036

Completely assembled filtration unit for membrane bioreactor system. Typical application are for treating domestic or industrial wastewater. Replacement of single MCXL2 module (8 m<sup>2</sup>) is possible to maintain minimum operating cost.

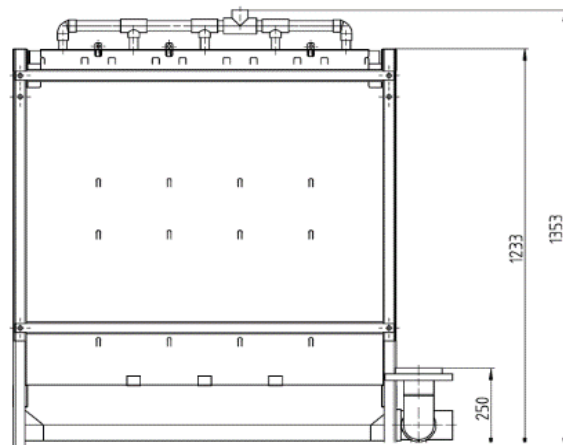
The cassette consists of:

- Already activated PVDF membrane modules MicroClear® MCXL2
- Filter housing made of stainless steel SS304 (SS316 optional)
- Membrane tube diffusers with medium sized bubble optimized for the plate distance of the MicroClear® MCXL2 filter module



| Parameter  | Unit                | Value                  |
|--|---------------------|------------------------|
| Dimension of filter cassette (incl. flange for aeration) | L x W x H cm        | 130 x 70 x 135         |
| Air connection flange                                    | DN/NPS              | 80 / 3"                |
| Filtrate connection flange                               | DN/NPS              | 40 / 1 ½"              |
| Total number of MicroClear® MCXL2 modules                |                     | 10                     |
| Total membrane surface area                              | m <sup>2</sup>      | 80                     |
| Possible flow <sup>1</sup>                               |                     |                        |
| 2 chemical cleanings/year                                | m <sup>3</sup> /day | 50                     |
| 1 chemical cleaning/year                                 |                     | 25                     |
| Membrane material  |                     | PVDF (activated)       |
| Nominal pore size  | µm                  | 0.03                   |
| Filtration pressure                                      | bar                 | Up to 0.25             |
| Max. backflush pressure                                  | bar                 | 0.1                    |
| Filter housing material                                  |                     | SS304 (SS316 optional) |
| Diffuser membrane material                               |                     | EPDM                   |
| Total required air flow for scouring                     | Nm <sup>3</sup> /h  | 50                     |
| Dry weight   | kg                  | Approx. 190            |

<sup>1</sup> Depending on wastewater characteristics and operating conditions



Revised: October 2021

Design and specifications are subject to change without notice

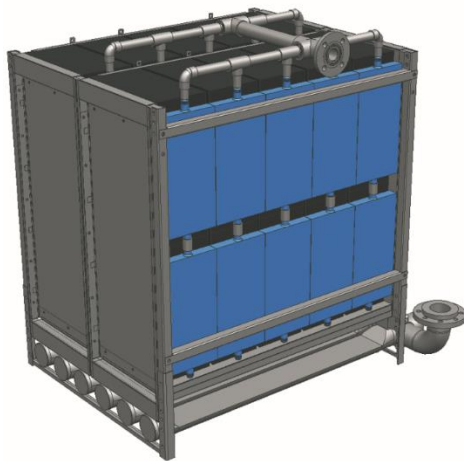
# MicroClear®

Technical Data Sheet **MB2-2 FILTER CASSETTE** Article-No. 80200037

Completely assembled filtration unit for membrane bioreactor system. Typical application are for treating domestic or industrial wastewater. Replacement of single MCXL2 module (8 m<sup>2</sup>) is possible to maintain minimum operating cost.

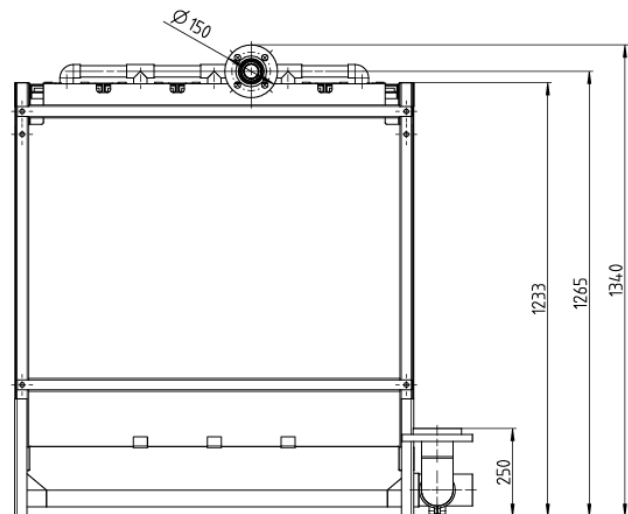
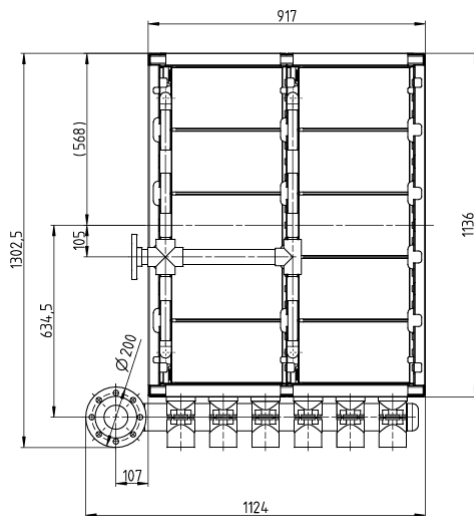
The cassette consists of:

- Already activated PVDF membrane modules MicroClear® MCXL2
- Filter housing made of stainless steel SS304 (SS316 optional)
- Membrane tube diffusers with medium sized bubble optimized for the plate distance of the MicroClear® MCXL2 filter module



| Parameter  | Unit                | Value                  |
|--|---------------------|------------------------|
| Dimension of filter cassette (incl. flange for aeration) | L x W x H cm        | 130 x 112 x 135        |
| Air connection flange                                    | DN/NPS              | 80 / 3"                |
| Filtrate connection flange                               | DN/NPS              | 40 / 1 ½"              |
| Total number of MicroClear® MCXL2 modules                |                     | 20                     |
| Total membrane surface area                              | m <sup>2</sup>      | 160                    |
| Possible flow <sup>1</sup>                               |                     |                        |
| 2 chemical cleanings/year                                | m <sup>3</sup> /day | 100                    |
| 1 chemical cleaning/year                                 |                     | 50                     |
| Membrane material  |                     | PVDF (activated)       |
| Nominal pore size  | µm                  | 0.03                   |
| Filtration pressure                                      | bar                 | Up to 0.25             |
| Max. backflush pressure                                  | bar                 | 0.1                    |
| Filter housing material                                  |                     | SS304 (SS316 optional) |
| Diffuser membrane material                               |                     | EPDM                   |
| Total required air flow for scouring                     | Nm <sup>3</sup> /h  | 100                    |
| Dry weight   | kg                  | Approx. 380            |

<sup>1</sup> Depending on wastewater characteristics and operating conditions



Revised: October 2021

Design and specifications are subject to change without notice

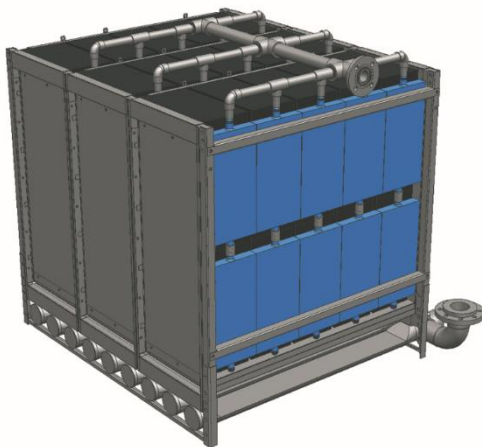
# MicroClear®

Technical Data Sheet **MB2-3 FILTER CASSETTE** Article-No. 80200038

Completely assembled filtration unit for membrane bioreactor system. Typical application are for treating domestic or industrial wastewater. Replacement of single MCXL2 module (8 m<sup>2</sup>) is possible to maintain minimum operating cost.

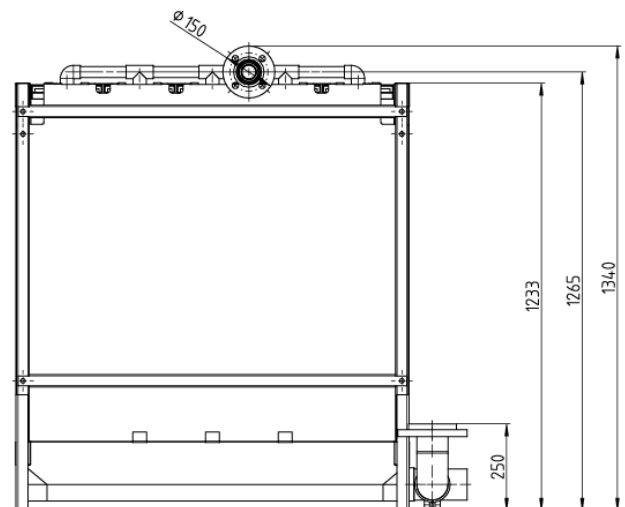
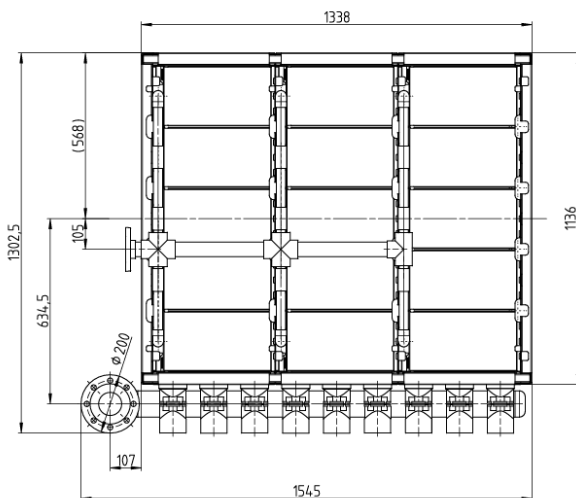
The cassette consists of:

- Already activated PVDF membrane modules MicroClear® MCXL2
- Filter housing made of stainless steel SS304 (SS316 optional)
- Membrane tube diffusers with medium sized bubble optimized for the plate distance of the MicroClear® MCXL2 filter module



| Parameter  | Unit                | Value                  |
|--|---------------------|------------------------|
| Dimension of filter cassette (incl. flange for aeration) | L x W x H cm        | 130 x 154 x 135        |
| Air connection flange                                    | DN/NPS              | 80 / 3"                |
| Filtrate connection flange                               | DN/NPS              | 40 / 1 ½"              |
| Total number of MicroClear® MCXL2 modules                |                     | 30                     |
| Total membrane surface area                              | m <sup>2</sup>      | 240                    |
| Possible flow <sup>1</sup>                               |                     |                        |
| 2 chemical cleanings/year                                | m <sup>3</sup> /day | 150                    |
| 1 chemical cleaning/year                                 |                     | 75                     |
| Membrane material  |                     | PVDF (activated)       |
| Nominal pore size  | µm                  | 0.03                   |
| Filtration pressure                                      | bar                 | Up to 0.25             |
| Max. backflush pressure                                  | bar                 | 0.1                    |
| Filter housing material                                  |                     | SS304 (SS316 optional) |
| Diffuser membrane material                               |                     | EPDM                   |
| Total required air flow for scouring                     | Nm <sup>3</sup> /h  | 150                    |
| Dry weight   | kg                  | Approx. 570            |

<sup>1</sup> Depending on wastewater characteristics and operating conditions



Revised: October 2021

Design and specifications are subject to change without notice

# MicroClear®

Technical Data Sheet **MB2-4 FILTER CASSETTE** Article-No. 80200039

Completely assembled filtration unit for membrane bioreactor system. Typical application are for treating domestic or industrial wastewater. Replacement of single MCXL2 module (8 m<sup>2</sup>) is possible to maintain minimum operating cost.

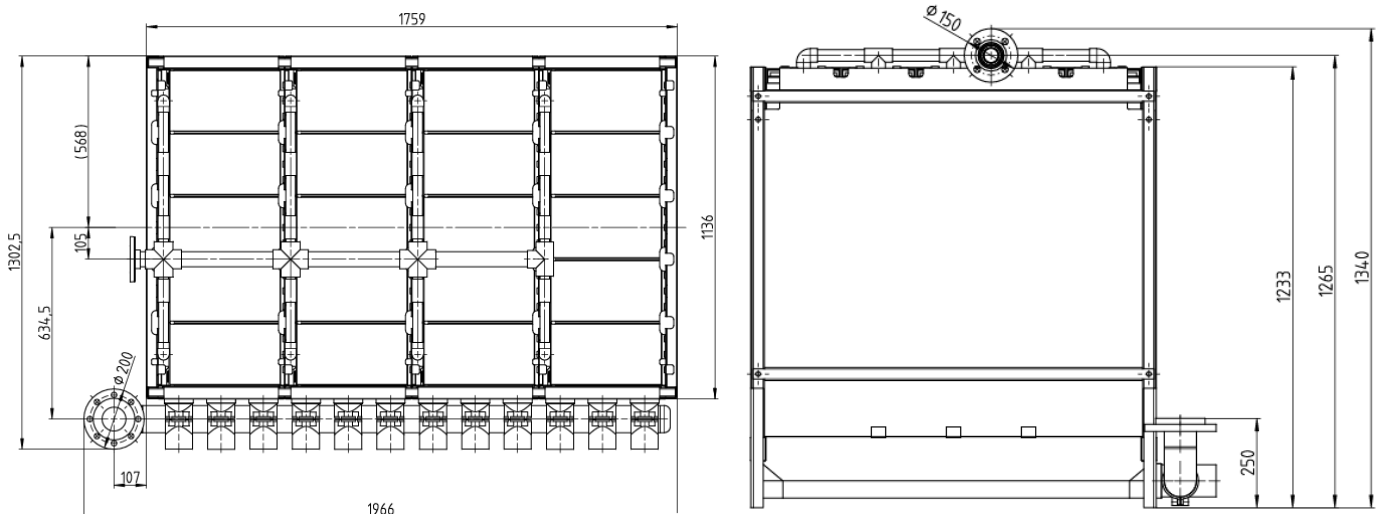
The cassette consists of:

- Already activated PVDF membrane modules MicroClear® MCXL2
- Filter housing made of stainless steel SS304 (SS316 optional)
- Membrane tube diffusers with medium sized bubble optimized for the plate distance of the MicroClear® MCXL2 filter module



| Parameter  | Unit                | Value                  |
|--|---------------------|------------------------|
| Dimension of filter cassette (incl. flange for aeration) | L x W x H cm        | 130 x 196 x 135        |
| Air connection flange                                    | DN/NPS              | 80 / 3"                |
| Filtrate connection flange                               | DN/NPS              | 40 / 1 ½"              |
| Total number of MicroClear® MCXL2 modules                |                     | 40                     |
| Total membrane surface area                              | m <sup>2</sup>      | 320                    |
| Possible flow <sup>1</sup>                               |                     |                        |
| 2 chemical cleanings/year                                | m <sup>3</sup> /day | 200                    |
| 1 chemical cleaning/year                                 |                     | 100                    |
| Membrane material  |                     | PVDF (activated)       |
| Nominal pore size  | µm                  | 0.03                   |
| Filtration pressure                                      | bar                 | Up to 0.25             |
| Max. backflush pressure                                  | bar                 | 0.1                    |
| Filter housing material                                  |                     | SS304 (SS316 optional) |
| Diffuser membrane material                               |                     | EPDM                   |
| Total required air flow for scouring                     | Nm <sup>3</sup> /h  | 200                    |
| Dry weight   | kg                  | Approx. 760            |

<sup>1</sup> Depending on wastewater characteristics and operating conditions



Revised: October 2021

Design and specifications are subject to change without notice

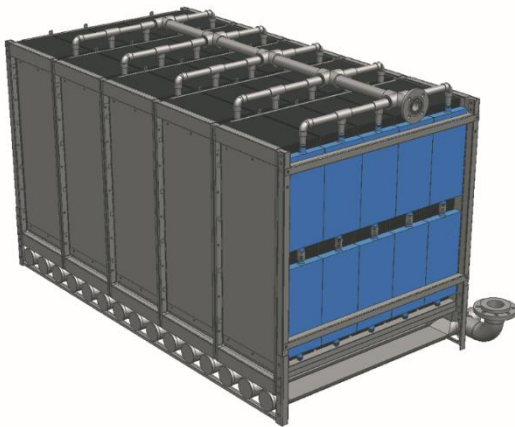
# MicroClear®

Technical Data Sheet **MB2-5 FILTER CASSETTE** Article-No. 80200040

Completely assembled filtration unit for membrane bioreactor system. Typical application are for treating domestic or industrial wastewater. Replacement of single MCXL2 module (8 m<sup>2</sup>) is possible to maintain minimum operating cost.

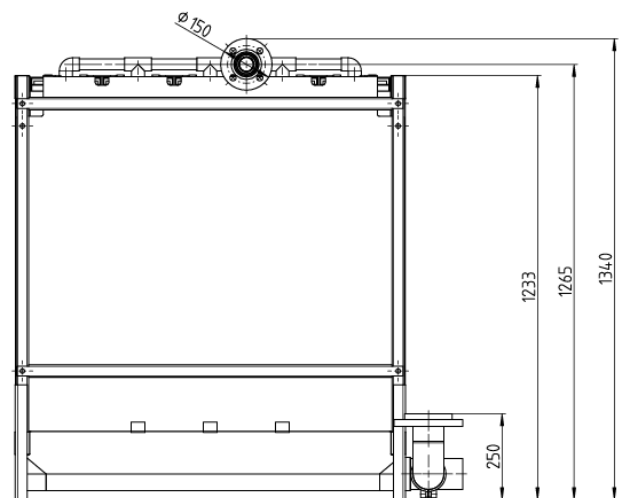
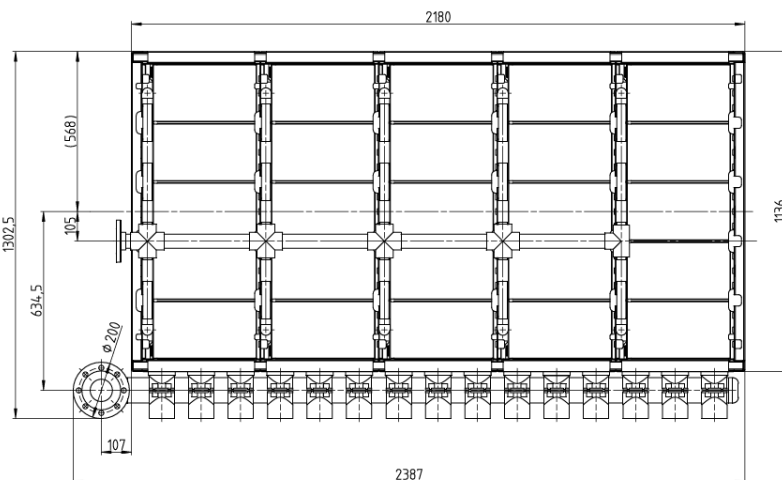
The cassette consists of:

- Already activated PVDF membrane modules MicroClear® MCXL2
- Filter housing made of stainless steel SS304 (SS316 optional)
- Membrane tube diffusers with medium sized bubble optimized for the plate distance of the the MicroClear® MCXL2 filter module



| Parameter  | Unit                | Value                  |
|--|---------------------|------------------------|
| Dimension of filter cassette (incl. flange for aeration) | L x W x H cm        | 130 x 238 x 135        |
| Air connection flange                                    | DN/NPS              | 80 / 3"                |
| Filtrate connection flange                               | DN/NPS              | 40 / 1 1/2"            |
| Total number of MicroClear® MCXL2 modules                |                     | 50                     |
| Total membrane surface area                              | m <sup>2</sup>      | 400                    |
| Possible flow <sup>1</sup>                               |                     |                        |
| 2 chemical cleanings/year                                | m <sup>3</sup> /day | 250                    |
| 1 chemical cleaning/year                                 |                     | 125                    |
| Membrane material  |                     | PVDF (activated)       |
| Nominal pore size  | µm                  | 0.03                   |
| Filtration pressure                                      | bar                 | Up to 0.25             |
| Max. backflush pressure                                  | bar                 | 0.1                    |
| Filter housing material                                  |                     | SS304 (SS316 optional) |
| Diffuser membrane material                               |                     | EPDM                   |
| Total required air flow for scouring                     | Nm <sup>3</sup> /h  | 250                    |
| Dry weight   | kg                  | Approx. 950            |

<sup>1</sup> Depending on wastewater characteristics and operating conditions



Revised: October 2021

Design and specifications are subject to change without notice

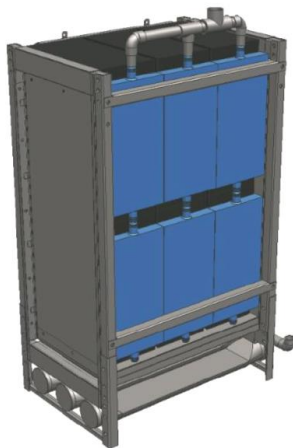
# MicroClear®

Technical Data Sheet **MB2-M FILTER CASSETTE** Article-No. 80200058

Completely assembled filtration unit for membrane bioreactor system. Typical application are for treating domestic or industrial wastewater. Replacement of single MCXL2 module (8 m<sup>2</sup>) is possible to maintain minimum operating cost.

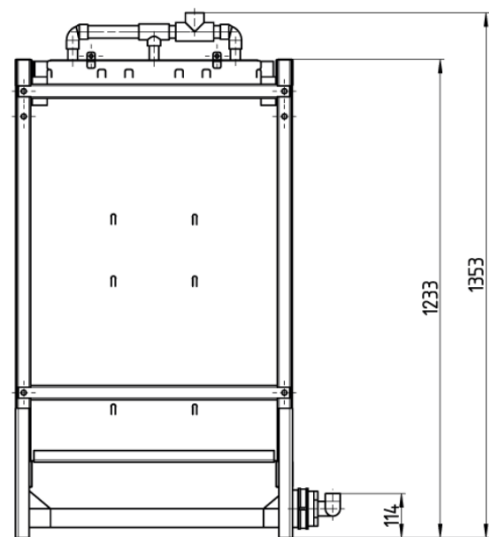
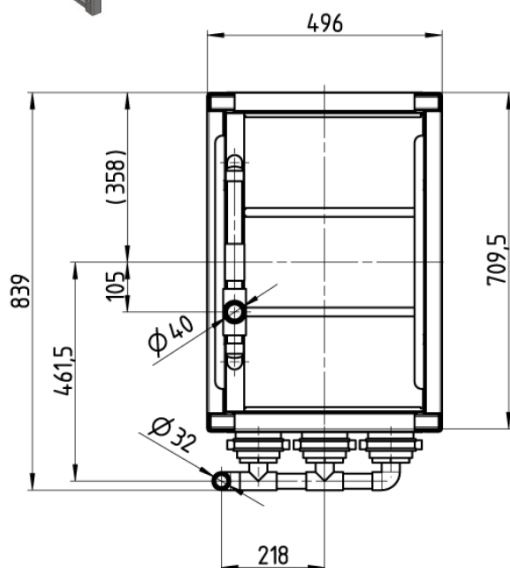
The cassette consists of:

- Already activated PVDF membrane modules MicroClear® MCXL2
- Filter housing made of stainless steel SS304 (SS316 optional)
- Membrane tube diffusers with medium sized bubble optimized for the plate distance of the MicroClear® MCXL2 filter module



| Parameter  | Unit                | Value                  |
|--|---------------------|------------------------|
| Dimension of filter cassette (incl. pipe for aeration) | L x W x H cm        | 84 x 49.6 x 135        |
| Air connection pipe                                    | DN/NPS              | 25 / 1"                |
| Filtrate connection flange                             | DN/NPS              | 40 / 1 1/2"            |
| Total number of MicroClear® MCXL2 modules              |                     | 6                      |
| Total membrane surface area                            | m <sup>2</sup>      | 48                     |
| Possible flow <sup>1</sup>                             |                     |                        |
| 2 chemical cleanings/year                              | m <sup>3</sup> /day | 35                     |
| 1 chemical cleaning/year                               |                     | 17.5                   |
| Membrane material                                      |                     | PVDF (activated)       |
| Nominal pore size                                      | µm                  | 0.03                   |
| Filtration pressure                                    | bar                 | Up to 0.25             |
| Max. backflush pressure                                | bar                 | 0.1                    |
| Filter housing material                                |                     | SS304 (SS316 optional) |
| Diffuser membrane material                             |                     | EPDM                   |
| Total required air flow for scouring                   | Nm <sup>3</sup> /h  | 30                     |
| Dry weight   | kg                  | Approx. 130            |

<sup>1</sup> Depending on wastewater characteristics and operating conditions



Revised: October 2021

Design and specifications are subject to change without notice

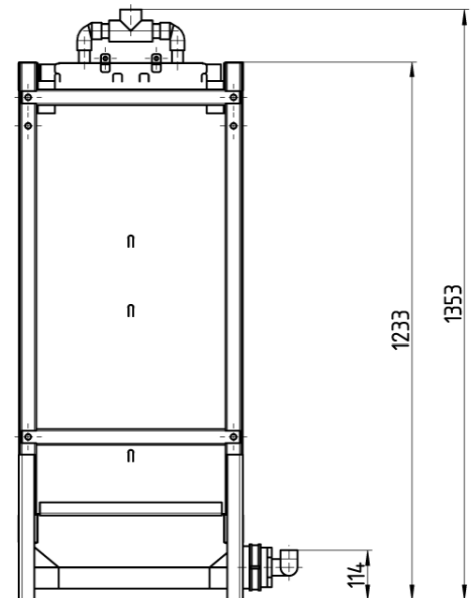
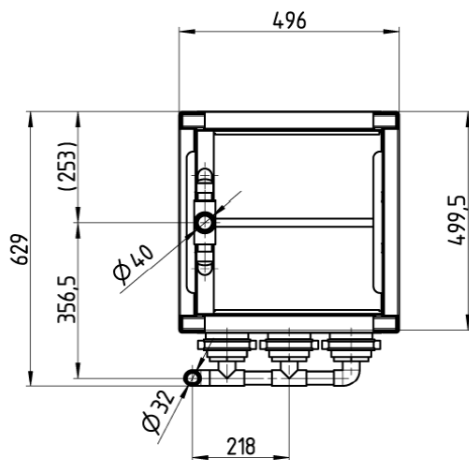
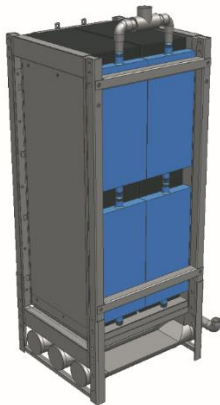
# MicroClear®

Technical Data Sheet **MB2-S FILTER CASSETTE** Article-No. 80200056

Completely assembled filtration unit for membrane bioreactor system. Typical application are for treating domestic or industrial wastewater. Replacement of single MCXL2 module (8 m<sup>2</sup>) is possible to maintain minimum operating cost.

The cassette consists of:

- Already activated PVDF membrane modules MicroClear® MCXL2
- Filter housing made of stainless steel SS304 (SS316 optional)
- Membrane tube diffusers with medium sized bubble optimized for the plate distance of the MicroClear® MCXL2 filter module



| Parameter  | Unit                | Value                  |
|--|---------------------|------------------------|
| Dimension of filter cassette (incl. pipe for aeration) | L x W x H cm        | 63 x 49.6 x 135        |
| Air connection pipe                                    | DN/NPS              | 25 / 1"                |
| Filtrate connection flange                             | DN/NPS              | 40 / 1 1/2"            |
| Total number of MicroClear® MCXL2 modules              |                     | 4                      |
| Total membrane surface area                            | m <sup>2</sup>      | 32                     |
| Possible flow <sup>1</sup>                             |                     |                        |
| 2 chemical cleanings/year                              | m <sup>3</sup> /day | 20                     |
| 1 chemical cleaning/year                               |                     | 10                     |
| Membrane material                                      |                     | PVDF (activated)       |
| Nominal pore size                                      | µm                  | 0.03                   |
| Filtration pressure                                    | bar                 | Up to 0.25             |
| Max. backflush pressure                                | bar                 | 0.1                    |
| Filter housing material                                |                     | SS304 (SS316 optional) |
| Diffuser membrane material                             |                     | EPDM                   |
| Total required air flow for scouring                   | Nm <sup>3</sup> /h  | 20                     |
| Dry weight   | kg                  | Approx. 90             |

<sup>1</sup> Depending on wastewater characteristics and operating conditions